

# Mx350i-B

Labelling that will blow your mind

**Mx350i-B** is a compact and cost-efficient model that offers high-performance contactless labelling for both moving and stationary products. With the same look and feel and benefits as seen across the whole **Mx-Series** range, the **Mx350i-B** is an ideal solution for high-speed applications, products with uneven surfaces, or fragile products and packaging that require contactless labelling.



## Easy to integrate

- ◆ The **Mx350i-B** print and apply solution has one of the most compact footprints available on the market and left- and right-hand variants, for effortless integration into existing production lines.
- ◆ The advanced connectivity options enable smooth integration with ERP, WMS, and MES systems within your factory.



## Easy to use

- ◆ The **Mx350i-B** is designed for user-friendliness, featuring an integrated UI and an optional remote 10-inch touchscreen, for easy operation.
- ◆ The durable design and intelligent functionality reduce the time required for maintenance and media changes, allowing you to maximise production uptime.

## Easy to adapt

- ◆ **Mx350i-B** is highly configurable, providing numerous options to enhance and streamline your labelling processes.
- ◆ The equipment is designed for longevity to provide long-term service, while its adaptability means it can be adjusted to suit changing labelling requirements without expensive upgrades.

[www.dominoindia.com](http://www.dominoindia.com)



# A complete solution for all labelling needs



Our services are designed to provide operational insight so you can reduce downtime and maximise production efficiency

## Operational support

Our extended warranty packages provide high-quality, on-site assistance and augmented reality-enabled remote guidance from our engineers. **SafeGuard** helps to ensure we can be with you when you need us most.

## Automatic code inspection

Ensure every code that leaves your factory is present and correct, and free up operator time. With **R-Series**, Domino's range of vision control systems, you can automate your code inspection to validate code presence, placement, and readability.

## Central label management

**Domino Automation** easily integrates into your manufacturing process as well as your ERP/MES systems. It makes automatic changeovers safe and simple, helping you to reduce waste and drive sustainability initiatives while increasing productivity and efficiency.

## Smart production

Gain operational insight by connecting your printer to **Domino Cloud**. Obtain production analytics dashboards and receive system error alerts. **Domino Cloud** provides you with the information you need to run your operations more efficiently.



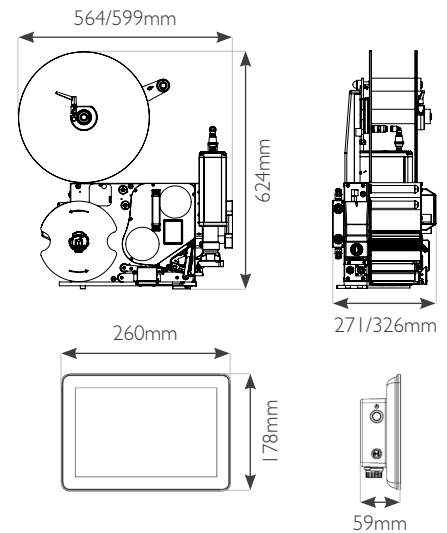
With the multi-language integrated touchscreen, you can easily access the most commonly used settings.

Higher speed in batch labelling applications is offered through a range of extended options.



## Technical specification **Mx350i-B**

Model	Mx350i-B4	Mx350i-B6
Print width	108mm (4-inch)	162mm (6-inch)
Print technology	Thermal transfer / Direct thermal	
Print resolution	12 dots/mm (300dpi)	
Printer variants	Left hand or Right hand	
Max print speed	400mm/s	250mm/s
Distance to product	10-100mm	
Product motion	Moving or Stationary	
Apply method	Blow (contactless)	
Label position		
Recommended label width	50-110mm	50-150mm
Recommended label length	30-100mm	
Label & ribbon roll length	Up to 600m	
Input voltage	90-250VAC 50/60Hz	
Communication	4x Ethernet, TCP/IP, 2x USB-A, 1x USB-B	
I/Os (configurable)	12 inputs and 12 outputs	



CONTACT US

## TALK TO AN EXPERT

- +91-900 900 6612
- enquiry@dominoindia.com
- www.dominoindia.com

Domino Printech India LLP, 117, Sector - 8, IMT Manesar, Gurugram, Haryana, India - 122050

Mx350i-B/0724 IN

All performance related figures and claims quoted in this document were obtained under specific conditions and may only be replicated under similar conditions. For specific product details, you should contact your Domino Sales Advisor. This document does not form part of any terms and conditions between you and Domino.